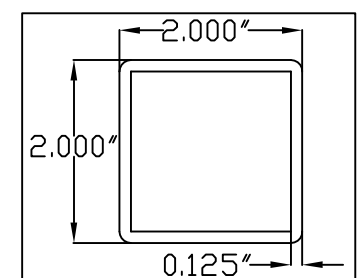
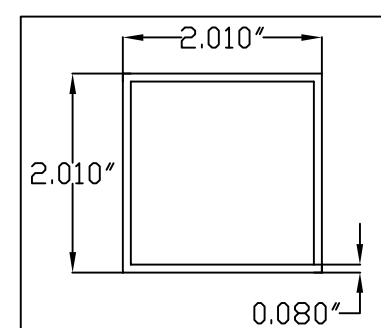


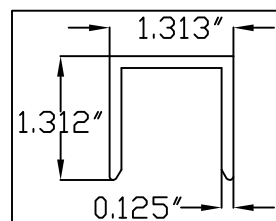
VIEW "A"



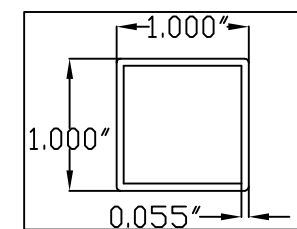
304 ARCHITECTURAL POST



7751 ARCHITECTURAL POST



3381 ARCHITECTURAL CHANNEL



5470 ARCHITECTURAL PICKET

MANUFACTURED BY:
ELEGANT ALUMINUM PRODUCTS
 16965 MASONIC, FRASER MI 48026
 586-293-1020 FAX 586-293-1070
 WWW.ELEGANTALUMINUM.COM

"FS"-25 MAJESTIC (STANDARD / ALTERNATING)
 FENCE ELEVATION
 ARCHITECTURAL LINE FENCE
 4' HIGH

CUSTOMER: